

Stock Code: **20392LEDDMG-BL/CLR**

Collection: Dillon

**PRODUCT INFORMATION**

Base: 20392 Parent: 20392LEDDMG  
Mounting Type: Wall UPC: 641594251685  
Finish: Black  
Diffuser: Clear

**PRODUCT MEASUREMENTS**

<b>FIXTURE**</b>	<b>BACKPLATE / CANOPY**</b>
Length:	Length 8.5"
Width: 8.5"	Width: 6.5"
Diameter	Diameter:
Height: 6.5"	Height: .75"
Extension: 4"	
Overall Height:	

**TECHNICAL SPECIFICATIONS**

**SPECIFICATIONS**

Frame Material: Aluminum  
Diffuser Material: Glass  
Lamping Type: SSL (Dedicated LED) Jbox: Standard  
Lamping Base: SSL Lamp Wattage: 8.5 W  
Lamp Quantity: 2 Total Wattage: 17 W  
Voltage: 120v Lamps Included: Yes

**QUALIFICATIONS**

Location Rating Wet  
Certification: ETL (US/Canada) Listed  
ADA Compliant: Yes Energy Star: No  
JA8 Compliant: Outdoor Only Emergency Lighting: No  
Marine Grade Finish: Yes  
Warranty\*\*: 5 Year

**PHOTOMETRICS**

Dimmable: Yes Nominal Lumens: 800 Lm  
CRI: 90 Delivered Lumens: 421 Lm  
CCT: 3000K  
Recommended Dimmers:  
(ELV)LUTRON Maestro MAELV-600; (ELV)LUTRON Maestro CL  
MACL-153M; (TRIAC)LEVITON Decora Sureslide 6672

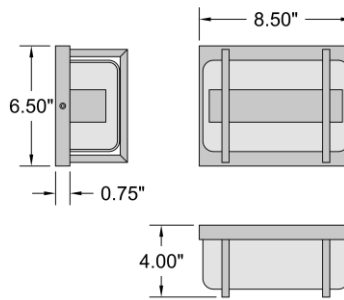
**ADDITIONAL NOTES**

; Horizontal or Vertical Mounting

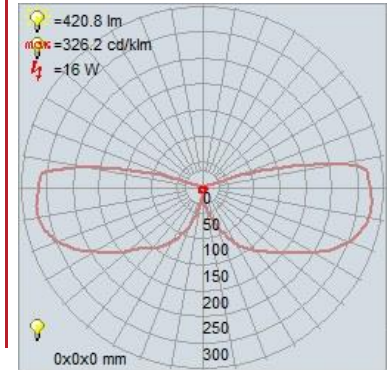
Project Name: \_\_\_\_\_  
Location: \_\_\_\_\_  
Type: \_\_\_\_\_  
Quantity: \_\_\_\_\_  
Notes: \_\_\_\_\_



**LINE DRAWING**



**IES FILE**



In addition to Access Lighting's purchase and warranty terms and conditions, by signing below or placing an order, you agree that you are authorized to bind the entity placing any order and acknowledge the following: All of sizes and measurements are approximate and all images are for illustrative purposes only. In the event of an inconsistency, the "Product Measurements" section controls. There also may be slight differences in the colors and designs compared to the displayed and printed images.

Signature: \_\_\_\_\_  
Print Name \_\_\_\_\_ Date: \_\_\_\_\_

**Toll Free 800-828-5483 www.AccessLighting.com**  
301 Piedmont Grove Park, Suite A, Greenville, SC 29611



\*\* NOTE: All measurements are rounded up to the 1/4 inch. There is no warranty on any replaceable bulbs, even if included with the fixture.  
Copyright Access Lighting Corp. All information is subject to change without notice. 5/29/2024 20392LEDDMG-BL\_CLR.pdf