

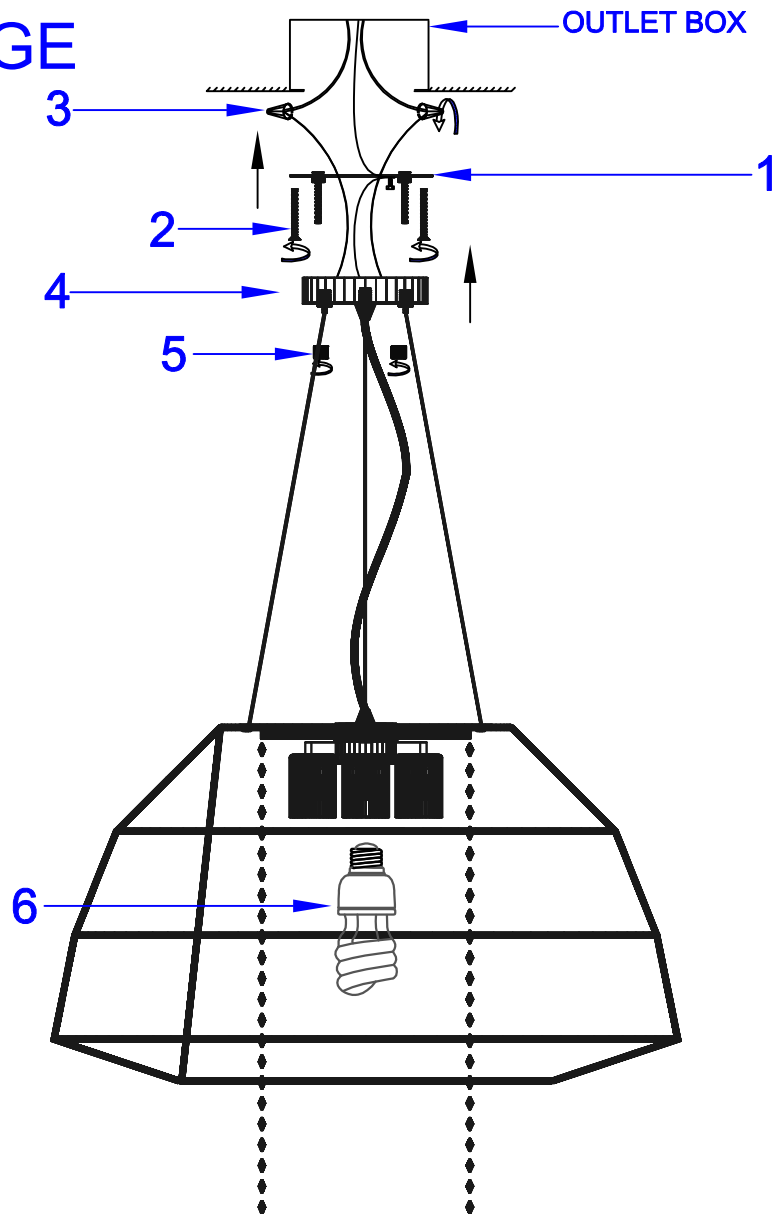
INSTALLATION INSTRUCTION

ITEM NO.:73082 BEIGE

1. Crossbar
2. Mounting screw
3. Wire connector
4. Canopy
5. Ballnut
6. Bulb

FEATURE:

LAMP TYPE : E26 X Max:13W 120V 60Hz
THE LAMP IS FOR INDOOR USE ONLY



INSTALLATION INSTRUCTION

1. Shut off power at the circuit breaker and remove old fixture from wall including the crossbar.
2. Carefully remove the fixture from the carton on a clear area, and check that all parts are included as shown in the illustration.
3. Place crossbar onto outlet box, and secure Crossbar by using Mounting Screws to the Outlet Box.
4. Connect the electrical wires, making sure that all wire connectors are secured. If your outlet has a ground wire (Green or bare copper), connect the fixture Ground Wire and Bare copper together to the outlet box Ground Wire. Otherwise, connect the fixture's Ground Wire directly to the Circular Strap or Reinforcement Plate using the Green Screw provided.
5. Fixup bulbs to lampholders.